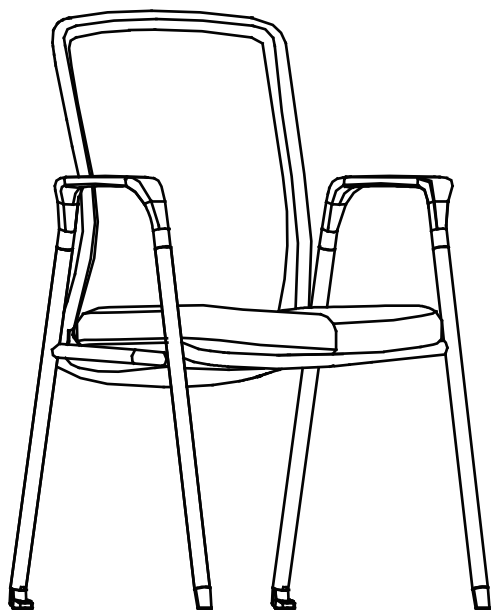
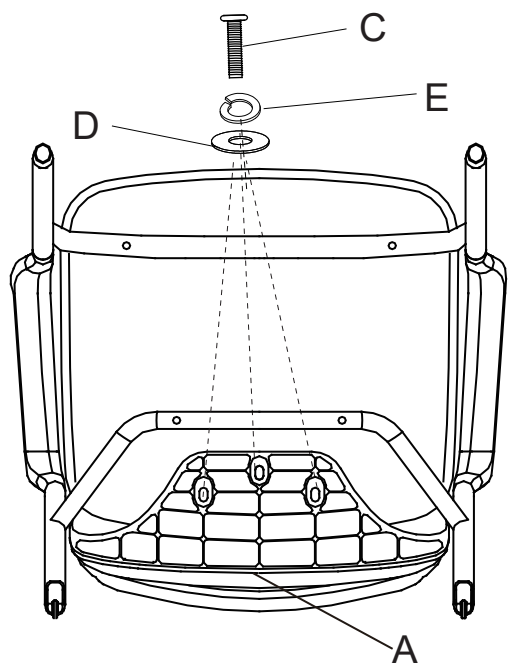


NOTICE DE MONTAGE CHAISES KENVO REF KEN02



		Qty
A		1PC
B		1PC
C	M8*50mm	3PCS
D	M8*ø17	3PCS
E	M8*ø14*2mm	3PCS
F	M6	1PC

1



2

